



BOXSM
TECHNOLOGY

Network Connectivity Guide for BOX Options

Document Revision: 4.2.1
Date of Issue : April 12, 2022

Document History

Version	Date	Change Description
4.0	2021-12-22	New version of the connectivity guide
4.1	2022-03-14	Updated multicast line tables to correct errors
4.2, 4.2.1	2022-04-12	Updated market data bandwidth requirements

Table of Contents

Table of Contents	i
Section 1 Introduction.....	3
1.1 Audience	3
1.2 Related Documents	3
1.3 BOX Contact	3
Section 2 BOX Extranet	4
2.1 NY4 Production.....	4
2.2 NY4 Test	4
2.3 CH1 Disaster Recovery (“DR”)	4
Section 3 Connectivity	5
3.1 Equalized Cross Connect	5
3.2 Equinix Cross Connect	5
3.3 Extranet Providers	5
3.4 VPN.....	6
3.5 Connectivity Request.....	6
Section 4 Network Specifications	7
4.1 IP Addresses.....	7
4.2 Peering IP Addresses	7
4.3 IP Routing	7
4.4 Multicast.....	7
4.5 Network Security	8
Section 5 HSVF Market Data.....	9
5.1 High Speed Vendor Feed (“HSVF”) Multicast	9
5.2 Redundancy	10
5.3 Clear Leader	10
5.4 Message Recovery (Retransmission).....	10
Appendix A NY4 Equalized Cabling Details.....	11
A.1 Architecture	11
A.2 Optical Fiber Specifications	11
A.3 Path Redundancy	11
A.4 Edge Switches	12
A.5 Limitations on Connections	12
A.6 Ordering Connections.....	12
A.7 Certification.....	12
Appendix B Market Data Bandwidth Estimates.....	13
Appendix C Production (NY4) HSVF Details.....	14
C.1 Rendezvous Point (“RP”)	14
C.2 HSVF Multicast Sources	14
C.3 HSVF Multicast Lines	14
C.4 IP Source to HSVF Multicast Line Mapping	16
C.5 Retransmission.....	17
Appendix D Disaster Recovery (CH1) HSVF Details	18
D.1 DR Rendezvous Point (“RP”)	18
D.2 DR HSVF Multicast Sources	18

D.3	DR HSVF Multicast Lines.....	18
D.4	DR Retransmission	20
Appendix E Test HSVF Details		22
E.1	Test Rendezvous Point (“RP”)	22
E.2	Test HSVF Multicast Sources	22
E.3	Test HSVF Multicast Lines	22
E.4	Test Retransmission.....	24

Section 1 Introduction

The Network Connectivity Guide explains the network connectivity options to access BOX Options Market LLC (“BOX”) trading systems and services.

1.1 Audience

This document targets business, programmers, and network analysts who are responsible for determining the technical solutions needed to interface with BOX’s trading systems and services.

1.2 Related Documents

Please refer to BOX’s website (www.boxoptions.com) to access protocol specifications and business design guides.

1.3 BOX Contact

Market Operations Center

- Toll Free: 1-866-768- 8845
- boxmoc@boxoptions.com

Section 2 **BOX Extranet**

Connectivity to BOX services is provided via the BOX Extranet. Connections to BOX via the Extranet will be either directly via a cross connect or indirectly via a third-party network provider (“Extranet Provider”).

2.1 NY4 Production

The Production Extranet is hosted within the Equinix NY4 data center. Access to the Production Extranet is provided via an equalized cabling architecture. All production connections (including Extranet Providers) must use the equalized cabling architecture.

2.2 NY4 Test

Test environments are hosted in the NY4 data center and are accessible via a separate Test Extranet or via VPN.

The Test Extranet utilizes the same switch models and similar architecture as the Production Extranet.

Participants and Extranet Providers (collectively, “firms”) may also opt to access the test environment via their production connection. However, this is not recommended by BOX as firms may impact their production traffic performance if they access the test environment at the same time.

2.3 CH1 Disaster Recovery (“DR”)

The BOX DR systems are hosted in the Equinix CH1 data center. Firms must connect to this location to access the BOX DR environment. Connections in CH1 use standard Equinix cross connects to obtain access to the BOX DR Extranet.

This location provides access to the BOX DR systems only.

Section 3 Connectivity

The BOX Extranet supports 1G and 10G connections. Alternatively, firms may opt to connect using an Extranet Provider.

Depending on the environment accessed, different connection types are available:

<u>Environment</u>	<u>Location</u>	<u>Equalized Connection</u>	<u>Equinix Cross Connect</u>	<u>Third Party</u>	<u>VPN</u>
Production	NY4	Yes	No	Yes	No
Test	NY4	No	Yes	Yes	Yes
DR	CH1	No	Yes	Yes	No

3.1 Equalized Cross Connect

In the NY4 data center, BOX has implemented equalized cross connects. All firm connections to the production environment, originating from within the NY4 data center, must use equalized cross connects.

All equal distance cross connects are provided on single mode fiber and support 1000BASE-LX/LH or 10GBASE-LR signalling.

3.2 Equinix Cross Connect

Firms that would like a direct connection to the test and DR environments can do so using Equinix cross connects.

BOX supports single mode fiber and either 1000BASE-LX/LH or 10GBASE-LR signalling.

3.3 Extranet Providers

Several Extranet Providers offer connectivity to the BOX environments. Please refer to the BOX website for a list of current Extranet Providers. Firms should contact the Extranet Providers for connectivity.

3.4 VPN

VPN access is available for the test environment only. Note that VPN connections cannot provide access to the test market data as the multicast feed is not supported over VPN. The following VPN settings are supported:

<u>Parameters</u>	<u>Accepted Values</u>
Internet Key Exchange Encryption (IKE) Method	Advanced Encryption Standard (AES) [256 bits] or AES256CGM
Data Integrity Method (Supported methods: SHA, MD5)	SHA [512] [PRFSHA512]
Authentication Method	Pre-shared Private Key
Private Key	BOX will provide the Private key over the phone during implementation.
Diffie-Hellman (DH) group	Group 14, 20 or 21 and above (minimum 2048 bit)
IKE SA lifetime	86400 seconds (1 day)
IPSec SA lifetime	3600 seconds (1 hour)
Data Exchange Encryption Algorithm	Advanced Encryption Standard (AES) [192 / 256 bits]
Data Integrity	SHA [256 / 384 / 512]
PFS (Perfect Forward Secrecy)	YES

3.5 Connectivity Request

Firms that wish to order, upgrade, downgrade, or cancel a connection to BOX must first reach out the Market Operations Center and complete a Connectivity Request Form. This form will ask the firm to provide the necessary information needed to provision, modify, or cancel the requested connection(s).

Section 4 Network Specifications

4.1 IP Addresses

The firm must provide the IP addresses of its hosts that will connect to the BOX applications. BOX requests public IP addresses assigned by the IANA. If public IP addresses are not available, the firm may choose to use private (non-routable) addresses from the reserved IP address ranges as outlined in RFC1597, provided that the addresses do not conflict with any addresses currently used on the BOX networks.

4.2 Peering IP Addresses

The network device peer addresses assigned to the Ethernet links that connect firm equipment to the BOX trading network will be assigned by BOX unless firms supply their own addresses.

4.3 IP Routing

Either static routes or Border Gateway Protocol (“BGP”) are supported and will distribute routing information between BOX and firms.

4.4 Multicast

The BOX multicast network uses PIM sparse mode (“PIM-SM”) exclusively. PIM dense mode (“PIM-DM”) or static Internet Group Management Protocol (“IGMP”) joins are not supported.

PIM-SM requires the use of a Rendezvous Point (“RP”) towards which firm routers forward multicast join requests.

Each feed is sourced from an address range specific to its source location. For optimal multicast routing, firms are expected to support the creation of shortest path trees (“SPT”). This will ensure the lowest latency, most efficient reception of the feeds, and will allow firms to control the redundant reception of both A and B feeds.

Optimal feed reception ultimately depends on the source tree determined from the firm’s router point of view. The location from which firms receive a feed will depend on the routes to the source address range contained within the firm router’s unicast routing table. Firms’ unicast routing tables must be accurate to ensure they receive the feeds from their intended location.

To aid firms in obtaining the multicast feeds from the desired locations, appropriate routes will be advertised via BGP. Firms must configure their network equipment to accept the desired routes from their preferred locations and thus determine the unicast routing table that will be used to create the source tree back to the feed sources. Please refer to the appendix for detailed information.

4.5 Network Security

BOX implements various security measures to protect its systems from malicious activity. The security measures in place are meant to protect the BOX networks and systems and are in no way intended to provide security to firms themselves. If firms feel they require additional security for their networks, they are encouraged to put in place the security measures deemed appropriate.

BOX reserves the right to capture and store network traffic for monitoring, analysis, and troubleshooting purposes.

BOX reserves the right to administratively and/or physically disable any connection which is believed to pose a security risk to the BOX systems.

Section 5 HSVF Market Data

5.1 High Speed Vendor Feed (“HSVF”) Multicast

BOX market data is disseminated via multicast. For each trading slice, the HSVF is offered in different instances so that firms may choose the market data messages they wish to receive.

<u>Description</u>	<u>Line Designation</u>	<u>HSVF Messages Included</u>
Top of Book (Level 1)	<i>s1</i> (<i>s</i> specifies the trading slice)	Options: C, D, F, GC, GR, I, J, M, N, O, Q, T Complex Order (Strategy): CS, FS, GS IS, JS, MS, NS, OS, QS, TS
Top of Book (Level 1) shaped 1Gbps	<i>s1</i> (<i>s</i> specifies the trading slice)	Options: C, D, F, GC, GR, I, J, M, N, O, Q, T Complex Order (Strategy): CS, FS, GS IS, JS, MS, NS, OS, QS, TS
Market Depth (Level 5)	<i>s5</i> (<i>s</i> specifies the trading slice)	Options: C, D, GC, GR, H, I, J, M, N, O, Q, T Complex Order (Strategy): CS, GS, HS, IS, JS, MS, NS, OS, QS, TS
PIP only	<i>sP</i> (<i>s</i> specifies the trading slice)	Options: J, M, N, O, Q, T Complex Order (Strategy): JS, MS, NS, OS, QS, TS
Complex Order (with market depth)	<i>sC</i> (<i>s</i> specifies the trading slice)	Complex Order (Strategy): CS, GS, HS, IS, JS, MS, NS, OS, QS, TS

5.2 Redundancy

The HSVF is disseminated redundantly via “A” and “B” versions of the feed.

5.3 Clear Leader

The HSVF have been deployed so that the “A” feed is generated before the “B” feed. For each feed, Top of Book is generated first.

5.4 Message Recovery (Retransmission)

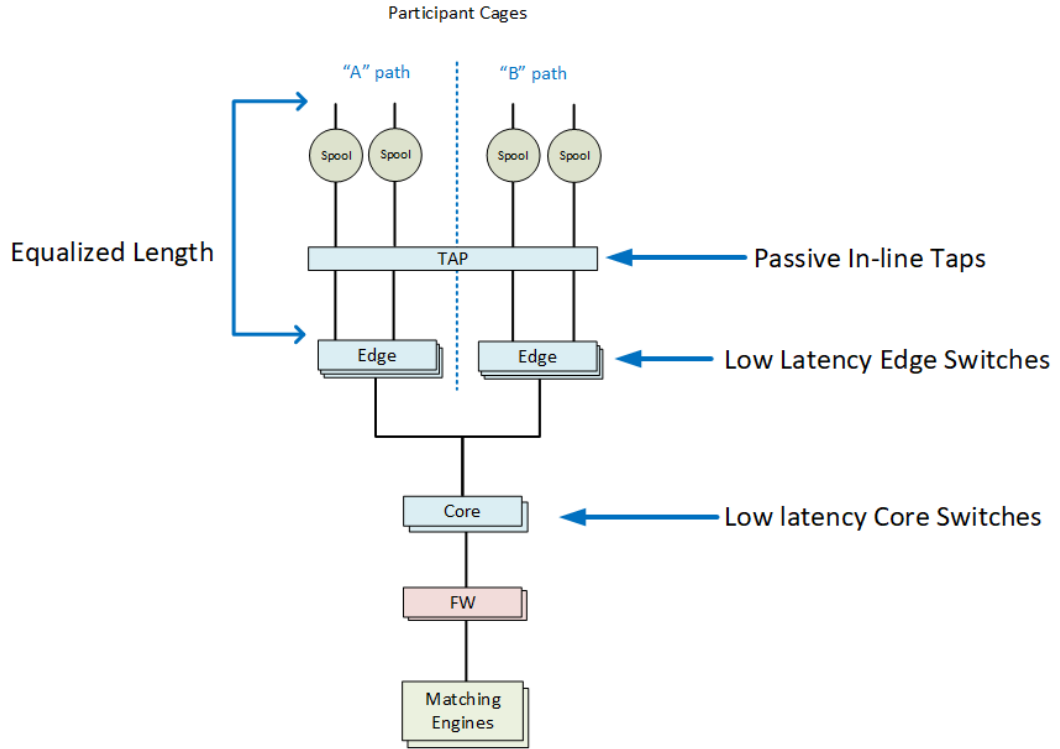
A feed retransmission service is provided so that firms may request messages they may have missed on the HSVF. This service is offered over TCP to dedicated retransmission servers.

For redundancy, two recovery servers are available. Either server can be used to retrieve missing messages as the recovery systems are not tied to a specific version of the feed. Since both the A and B feeds are identical, firms can connect to any recovery server to retrieve missing messages.

If a recovery server is not available (due to a technical issue), firms must connect to the alternate server to request message retransmission.

Appendix A NY4 Equalized Cabling Details

A.1 Architecture



A.2 Optical Fiber Specifications

Location	Connection Speed	Fiber Type	Signal	Connector
NY4	1G	Single Mode	1000BASE-LX/LH	LC
	10G	Single Mode	10GBASE-LR	LC

Equalized fiber spools are equalized to +/-1 optical foot.

A.3 Path Redundancy

To provide firms with redundant paths, "A" path and "B" paths, fiber spools are available. All fiber spools are of equalized length. The "A" fiber follows one path to the BOX cage whereas the "B" fiber follows an alternate path.

"A" path fiber will terminate on "A" edge switches and "B" path fiber will terminate on "B" edge switches.

For redundancy, it is strongly recommended that firms obtain at least one "A" path and one "B" path connection.

A.4 Edge Switches

The BOX Extranet edge switches are dedicated to a specific fiber path and connection speed. Edge switches will not mix connection speeds or fiber paths.

<u>Fiber Path</u>	<u>Number of Switches for 10G Connections</u>	<u>Number of Switches for 1G Connections</u>
A	3	1
B	3	1

Each edge switch is equipped with three distinct memory blocks, each responsible for a subset of a switch's interfaces. Interfaces on memory blocks 2 and 3 will be used for firm connections.

A.5 Limitations on Connections

Firms can order a maximum of four (4) connections per individual switch, two (2) maximum per memory block.

A.6 Ordering Connections

Firms that wish to connect to BOX must first reach out to the Market Operations Center and complete a Connectivity Request Form. This form will ask the firm to provide the necessary information needed to provision the requested connection(s).

When firms order a connection, they must indicate whether they wish to use the "A" or "B" path for each cross connect. Firms may also choose which edge switch they wish to connect to.

The BOX network team will assign switch ports in a randomized and anonymized fashion, ensuring that a firm does not exceed the connection limitations indicated above.

A.7 Certification

All fiber spools have been pre-certified to BOX's optical length specifications. In addition, BOX reserves the right to recertify any or all fiber spools to ensure the fibers have not been modified.

Appendix B Market Data Bandwidth Requirements

The following bandwidth requirements are provided to ensure connections are sized appropriately to receive market data. The following table shows the required bandwidth needed to receive a single instance of a HSVF service. Firms must not over-subscribe to market data (i.e. subscribe to multiple services of the feed on a connection where the total bandwidth would exceed the capacity of the connection).

<u>Service</u>	<u>Bandwidth Needed</u>
Top of Book HSVF	10Gbps
Market Depth HSVF	10Gbps
PIP, Complex Order HSVF	1Gbps
Top of Book (1Gbps) HSVF	1Gbps

Appendix C Production (NY4) HSVF Details

C.1 Rendezvous Point (“RP”)

<u>Description</u>	<u>Address</u>
NY4 production RP	198.235.27.223

C.2 HSVF Multicast Sources

<u>Description</u>	<u>Source IPs</u>	<u>Advertised Routes</u>
NY4 production “A” feed	198.235.27.40	198.235.27.40/32
	198.235.27.41	198.235.27.41/32
	Subnet	198.235.27.40/29
NY4 production “B” feed	198.235.27.48	198.235.27.48/32
	198.235.27.49	198.235.27.49/32
	Subnet	198.235.27.48/29

C.3 HSVF Multicast Lines

<u>NY4 Production</u>					
<u>Line</u>	<u>Description</u>	<u>“A” Feed Multicast Group Addresses</u>	<u>UDP Port</u>	<u>“B” Feed Multicast Group Addresses</u>	<u>UDP Port</u>
11	Top of book	224.0.124.1	21401	224.0.124.49	21404
21	Top of book	224.0.124.2	22401	224.0.124.50	22404
31	Top of book	224.0.124.3	23401	224.0.124.51	23404
41	Top of book	224.0.124.4	24401	224.0.124.52	24404
51	Top of book	224.0.124.5	25401	224.0.124.53	25404
61	Top of book	224.0.124.6	26401	224.0.124.54	26404
71	Top of book	224.0.124.7	27401	224.0.124.55	27404
81	Top of book	224.0.124.8	28401	224.0.124.56	28404

NY4 Production					
<u>Line</u>	<u>Description</u>	<u>“A” Feed Multicast Group Addresses</u>	<u>UDP Port</u>	<u>“B” Feed Multicast Group Addresses</u>	<u>UDP Port</u>
11	Top of book (1Gbps)	224.0.124.192	21421	224.0.124.200	21424
21	Top of book (1Gbps)	224.0.124.193	22421	224.0.124.201	22424
31	Top of book (1Gbps)	224.0.124.194	23421	224.0.124.202	23424
41	Top of book (1Gbps)	224.0.124.195	24421	224.0.124.203	24424
51	Top of book (1Gbps)	224.0.124.196	25421	224.0.124.204	25424
61	Top of book (1Gbps)	224.0.124.197	26421	224.0.124.205	26424
71	Top of book (1Gbps)	224.0.124.198	27421	224.0.124.206	27424
81	Top of book (1Gbps)	224.0.124.199	28421	224.0.124.207	28424
15	Market Depth	224.0.124.9	21402	224.0.124.57	21405
25	Market Depth	224.0.124.10	22402	224.0.124.58	22405
35	Market Depth	224.0.124.11	23402	224.0.124.59	23405
45	Market Depth	224.0.124.12	24402	224.0.124.60	24405
55	Market Depth	224.0.124.13	25402	224.0.124.61	25405
65	Market Depth	224.0.124.14	26402	224.0.124.62	26405
75	Market Depth	224.0.124.15	27402	224.0.124.63	27405
85	Market Depth	224.0.124.16	28402	224.0.124.64	28405
1P	PIP only	224.0.124.17	21403	224.0.124.65	21406
2P	PIP only	224.0.124.18	22403	224.0.124.66	22406
3P	PIP only	224.0.124.19	23403	224.0.124.67	23406
4P	PIP only	224.0.124.20	24403	224.0.124.68	24406

NY4 Production					
<u>Line</u>	<u>Description</u>	<u>“A” Feed Multicast Group Addresses</u>	<u>UDP Port</u>	<u>“B” Feed Multicast Group Addresses</u>	<u>UDP Port</u>
5P	PIP only	224.0.124.21	25403	224.0.124.69	25406
6P	PIP only	224.0.124.22	26403	224.0.124.70	26406
7P	PIP only	224.0.124.23	27403	224.0.124.71	27406
8P	PIP only	224.0.124.24	28403	224.0.124.72	28406
1C	Complex Order	224.0.124.25	21407	224.0.124.73	21408
2C	Complex Order	224.0.124.26	22407	224.0.124.74	22408
3C	Complex Order	224.0.124.27	23407	224.0.124.75	23408
4C	Complex Order	224.0.124.28	24407	224.0.124.76	24408
5C	Complex Order	224.0.124.29	25407	224.0.124.77	25408
6C	Complex Order	224.0.124.30	26407	224.0.124.78	26408
7C	Complex Order	224.0.124.31	27407	224.0.124.79	27408
8C	Complex Order	224.0.124.32	28407	224.0.124.80	28408

C.4 IP Source to HSVF Multicast Line Mapping

NY4 Production					
<u>Top of Book Lines</u>	<u>Market Depth Lines</u>	<u>PIP Lines</u>	<u>Complex Order Lines</u>	<u>“A” Feed Sources</u>	<u>“B” Feed Sources</u>
11	15	1P	1C	198.235.27.41	198.235.27.49
21	25	2P	2C	198.235.27.41	198.235.27.49
31	35	3P	3C	198.235.27.41	198.235.27.49
41	45	4P	4C	198.235.27.40	198.235.27.48
51	55	5P	5C	198.235.27.40	198.235.27.48
61	65	6P	6C	198.235.27.40	198.235.27.48
71	75	7P	7C	198.235.27.40	198.235.27.48

81	85	8P	8C	198.235.27.40	198.235.27.48
11 (1Gbps)	n/a	n/a	n/a	198.235.27.40	198.235.27.48
21 (1Gbps)	n/a	n/a	n/a	198.235.27.40	198.235.27.48
31 (1Gbps)	n/a	n/a	n/a	198.235.27.40	198.235.27.48
41 (1Gbps)	n/a	n/a	n/a	198.235.27.40	198.235.27.48
51 (1Gbps)	n/a	n/a	n/a	198.235.27.40	198.235.27.48
61 (1Gbps)	n/a	n/a	n/a	198.235.27.40	198.235.27.48
71 (1Gbps)	n/a	n/a	n/a	198.235.27.40	198.235.27.48
81 (1Gbps)	n/a	n/a	n/a	198.235.27.40	198.235.27.48

C.5 Retransmission

<u>Feeds</u>	<u>NY4 Retransmission Server 1</u>	<u>NY4 Retransmission Server 2</u>	<u>TCP Port</u>
Trading slice 1 (11, 15, 1P, 1C)	198.235.27.47	198.235.27.55	21410
Trading slice 2 (21, 25, 2P, 2C)	198.235.27.47	198.235.27.55	22410
Trading slice 3 (31, 35, 3P, 3C)	198.235.27.47	198.235.27.55	23410
Trading slice 4 (41, 45, 4P, 4C)	198.235.27.47	198.235.27.55	24410
Trading slice 5 (51, 55, 5P, 5C)	198.235.27.47	198.235.27.55	25410
Trading slice 6 (61, 65, 6P, 6C)	198.235.27.47	198.235.27.55	26410
Trading slice 7 (71, 75, 7P, 7C)	198.235.27.47	198.235.27.55	27410
Trading slice 8 (81, 85, 8P, 8C)	198.235.27.47	198.235.27.55	28410

Appendix D Disaster Recovery (CH1) HSVF Details

The DR HSVF is available when BOX's DR systems are activated.

D.1 DR Rendezvous Point ("RP")

Description	Address
CH1 DR RP	198.235.27.222

D.2 DR HSVF Multicast Sources

Description	Source IPs	Advertised Routes
CH1 DR "A" feed	198.235.27.232	198.235.27.232/29
	198.235.27.233	
	Subnet	
CH1 DR "B" feed	198.235.27.240	198.235.27.240/29
	198.235.27.241	
	Subnet	

D.3 DR HSVF Multicast Lines

CH1 DR					
Line	Description	"A" Feed Multicast Group Addresses	UDP Port	"B" Feed Multicast Group Addresses	UDP Port
11	Top of book	224.0.124.97	21401	224.0.124.145	21404
21	Top of book	224.0.124.98	22401	224.0.124.146	22404
31	Top of book	224.0.124.99	23401	224.0.124.147	23404
41	Top of book	224.0.124.100	24401	224.0.124.148	24404
51	Top of book	224.0.124.101	25401	224.0.124.149	25404
61	Top of book	224.0.124.102	26401	224.0.124.150	26404
71	Top of book	224.0.124.103	27401	224.0.124.151	27404

CH1 DR					
<u>Line</u>	<u>Description</u>	<u>“A” Feed Multicast Group Addresses</u>	<u>UDP Port</u>	<u>“B” Feed Multicast Group Addresses</u>	<u>UDP Port</u>
81	Top of book	224.0.124.104	28401	224.0.124.152	28404
11	Top of book (1Gbps)	224.0.124.208	21421	224.0.124.216	21424
21	Top of book (1Gbps)	224.0.124.209	22421	224.0.124.217	22424
31	Top of book (1Gbps)	224.0.124.210	23421	224.0.124.218	23424
41	Top of book (1Gbps)	224.0.124.211	24421	224.0.124.219	24424
51	Top of book (1Gbps)	224.0.124.212	25421	224.0.124.220	25424
61	Top of book (1Gbps)	224.0.124.213	26421	224.0.124.221	26424
71	Top of book (1Gbps)	224.0.124.214	27421	224.0.124.222	27424
81	Top of book (1Gbps)	224.0.124.215	28421	224.0.124.223	28424
15	Market depth	224.0.124.105	21402	224.0.124.153	21405
25	Market depth	224.0.124.106	22402	224.0.124.154	22405
35	Market depth	224.0.124.107	23402	224.0.124.155	23405
45	Market depth	224.0.124.108	24402	224.0.124.156	24405
55	Market depth	224.0.124.109	25402	224.0.124.157	25405
65	Market depth	224.0.124.110	26402	224.0.124.158	26405
75	Market depth	224.0.124.111	27402	224.0.124.159	27405
85	Market depth	224.0.124.112	28402	224.0.124.160	28405
1P	PIP only	224.0.124.113	21403	224.0.124.161	21406
2P	PIP only	224.0.124.114	22403	224.0.124.162	22406
3P	PIP only	224.0.124.115	23403	224.0.124.163	23406
4P	PIP only	224.0.124.116	24403	224.0.124.164	24406

CH1 DR					
<u>Line</u>	<u>Description</u>	<u>“A” Feed Multicast Group Addresses</u>	<u>UDP Port</u>	<u>“B” Feed Multicast Group Addresses</u>	<u>UDP Port</u>
5P	PIP only	224.0.124.117	25403	224.0.124.165	25406
6P	PIP only	224.0.124.118	26403	224.0.124.166	26406
7P	PIP only	224.0.124.119	27403	224.0.124.167	27406
8P	PIP only	224.0.124.120	28403	224.0.124.168	28406
1C	Complex Order	224.0.124.121	21407	224.0.124.169	21408
2C	Complex Order	224.0.124.122	22407	224.0.124.170	22408
3C	Complex order	224.0.124.123	23407	224.0.124.171	23408
4C	Complex Order	224.0.124.124	24407	224.0.124.172	24408
5C	Complex Order	224.0.124.125	25407	224.0.124.173	25408
6C	Complex Order	224.0.124.126	26407	224.0.124.174	26408
7C	Complex Order	224.0.124.127	27407	224.0.124.175	27408
8C	Complex Order	224.0.124.128	28407	224.0.124.176	28408

D.4 DR Retransmission

<u>Feeds</u>	<u>DR Retransmission Server 1</u>	<u>DR Retransmission Server 2</u>	<u>TCP Port</u>
Trading slice 1 (11, 15, 1P, 1C)	198.235.27.239	198.235.27.247	21410
Trading slice 2 (21,25, 2P, 2C)	198.235.27.239	198.235.27.247	22410
Trading slice 3 (31, 35, 3P, 3C)	198.235.27.239	198.235.27.247	23410
Trading slice 4 (41, 45, 4P, 4C)	198.235.27.239	198.235.27.247	24410
Trading slice 5 (51, 55, 5P, 5C)	198.235.27.239	198.235.27.247	25410
Trading slice 6 (61, 65, 6P, 6C)	198.235.27.239	198.235.27.247	26410

Feeds	DR Retransmission Server 1	DR Retransmission Server 2	TCP Port
Trading slice 7 (71, 75, 7P, 7C)	198.235.27.239	198.235.27.247	27410
Trading slice 8 (81, 85, 8P, 8C)	198.235.27.239	198.235.27.247	28410

Appendix E Test HSVF Details

E.1 Test Rendezvous Point (“RP”)

Description	Address
Test environment RP	198.235.30.26

E.2 Test HSVF Multicast Sources

Description	Source IP	Advertised Route
Test ISV 1 feeds	198.235.30.48	198.235.30.48/32
Test ISV 2 feeds	198.235.30.49	198.235.30.49/32

E.3 Test HSVF Multicast Lines

Line	Description	ISV 1 Multicast Groups	UDP Port	ISV 2 Multicast Groups	UDP Port	
11	Top of book	224.0.186.1	11401	224.0.186.49	11404	
21	Top of book	224.0.186.2	12401	224.0.186.50	12404	
31	Top of book	224.0.186.3	13401	224.0.186.51	13404	Reserved for future use
41	Top of book	224.0.186.4	14401	224.0.186.52	14404	
51	Top of book	224.0.186.5	15401	224.0.186.53	15404	
61	Top of book	224.0.186.6	16401	224.0.186.54	16404	
71	Top of book	224.0.186.7	17401	224.0.186.55	17404	
81	Top of book	224.0.186.8	18401	224.0.186.56	18404	
15	Market depth	224.0.186.9	11402	224.0.186.57	11405	
25	Market depth	224.0.186.10	12402	224.0.186.58	12405	
35	Market depth	224.0.186.11	13402	224.0.186.59	13405	Reserved for future use
45	Market depth	224.0.186.12	14402	224.0.186.60	14405	
55	Market depth	224.0.186.13	15402	224.0.186.61	15405	

<u>Line</u>	<u>Description</u>	<u>ISV 1 Multicast Groups</u>	<u>UDP Port</u>	<u>ISV 2 Multicast Groups</u>	<u>UDP Port</u>	
65	Market depth	224.0.186.14	16402	224.0.186.62	16405	
75	Market depth	224.0.186.15	17402	224.0.186.63	17405	
85	Market depth	224.0.186.16	18402	224.0.186.64	18405	
1P	PIP only	224.0.186.17	11403	224.0.186.65	11406	
2P	PIP only	224.0.186.18	12403	224.0.186.66	12406	
3P	PIP only	224.0.186.19	13403	224.0.186.67	13406	
4P	PIP only	224.0.186.20	14403	224.0.186.68	14406	
5P	PIP only	224.0.186.21	15403	224.0.186.69	15406	Reserved for future use
6P	PIP only	224.0.186.22	16403	224.0.186.70	16406	
7P	PIP only	224.0.186.23	17403	224.0.186.71	17406	
8P	PIP only	224.0.186.24	18403	224.0.186.72	18406	
1C	Complex Order	224.0.186.25	11407	224.0.186.73	11408	
2C	Complex Order	224.0.186.26	12407	224.0.186.74	12408	
3C	Complex Order	224.0.186.27	13407	224.0.186.75	13408	Reserved for future use
4C	Complex Order	224.0.186.28	14407	224.0.186.76	14408	
5C	Complex Order	224.0.186.29	15407	224.0.186.77	15408	
6C	Complex Order	224.0.186.30	16407	224.0.186.78	16408	
7C	Complex Order	224.0.186.31	17407	224.0.186.79	17408	
8C	Complex Order	224.0.186.32	18407	224.0.186.80	18408	

E.4 Test Retransmission

<u>Feed</u>	<u>ISV 1 Retransmission Server</u>	<u>ISV 1 TCP Port</u>	<u>ISV 2 Retransmission Server</u>	<u>ISV 2 TCP Port</u>	
Trading slice 1 (11, 15, 1P, 1C)	198.235.30.19	21410	198.235.30.20	11410	
Trading slice 2 (21, 25, 2P, 2C)	198.235.30.19	22410	198.235.30.20	12410	
Trading slice 3 (31, 35, 3P, 3C)	198.235.30.19	23410	198.235.30.20	13410	Reserved for future use
Trading slice 4 (41, 45, 4P, 4C)	198.235.30.19	24410	198.235.30.20	14410	
Trading slice 5 (51, 55, 5P, 5C)	198.235.30.19	25410	198.235.30.20	15410	
Trading slice 6 (61, 65, 6P, 6C)	198.235.30.19	26410	198.235.30.20	16410	
Trading slice 7 (71, 75, 7P, 7C)	198.235.30.19	27410	198.235.30.20	17410	
Trading slice 8 (81, 85, 8P, 8C)	198.235.30.19	28410	198.235.30.20	18410	



BOXSM
TECHNOLOGY

